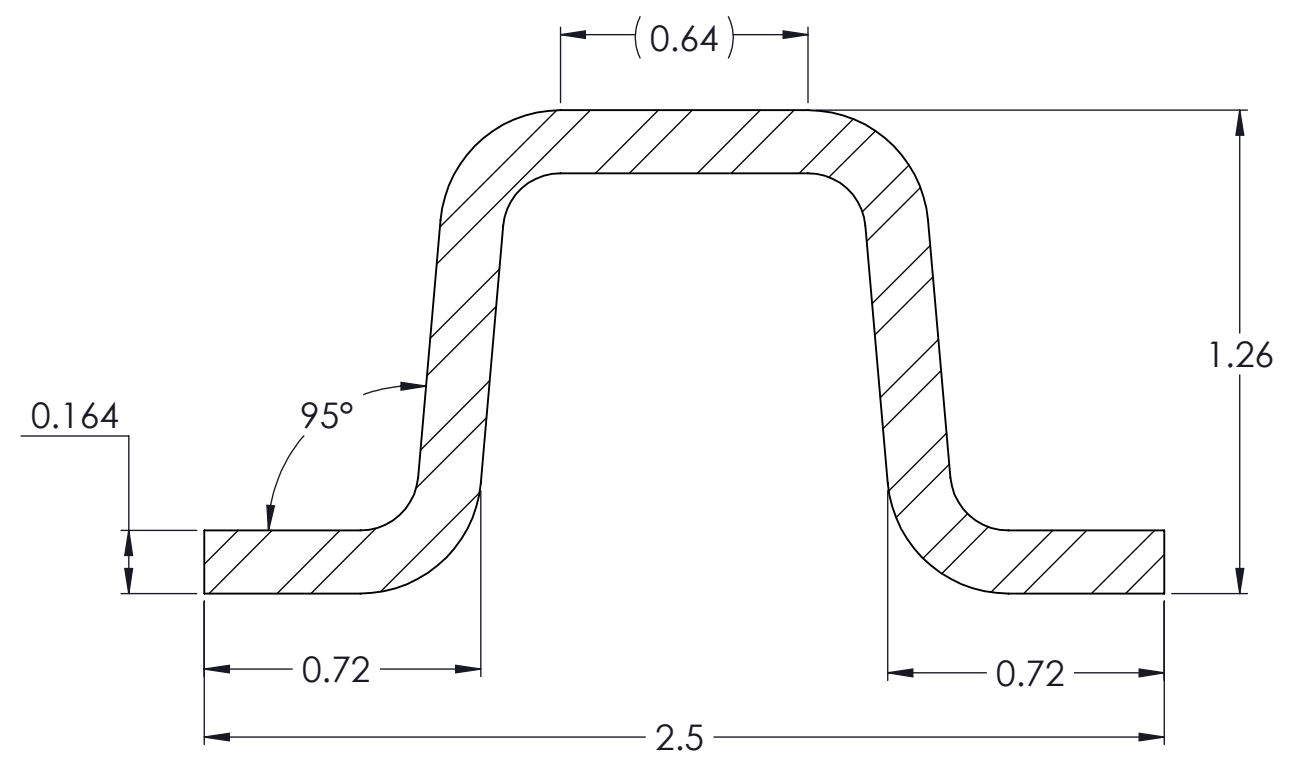
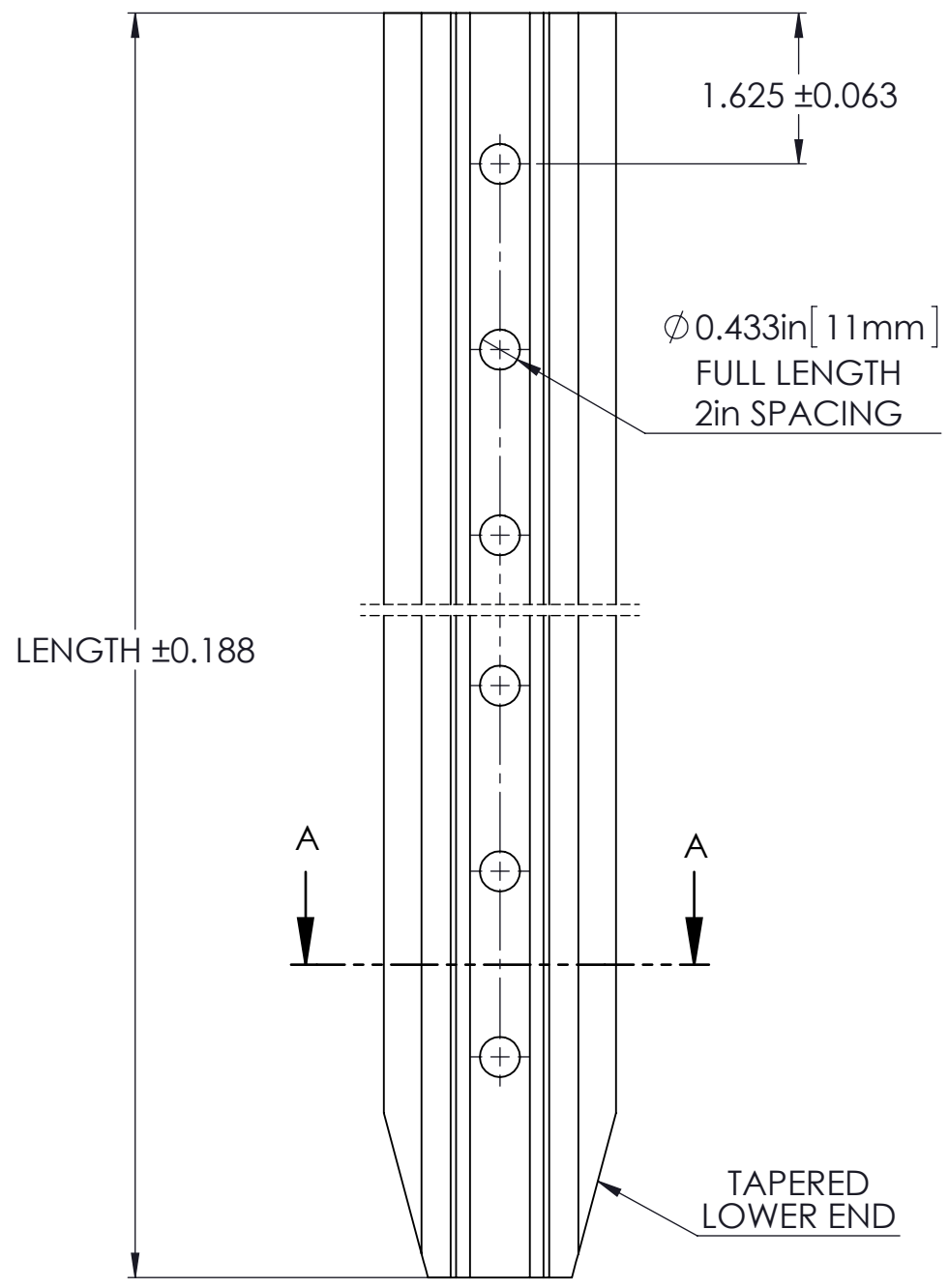


8 7 6 5 4 3 2 1

D
C
B
A



SECTION A-A
SCALE 2 : 1



MECHANICAL TUBE & UNISTRUT SPECIALISTS

NOTE: GALVANIZED TO CSA G164 SPEC.

<p>1-888-577-8823</p> <p>Head Office 7-160 Konrad Cres Markham, Ontario L3R 9T9</p> <p>Distribution 22 Alrport Road Brantford, Ontario N3T 5R7</p>		<p>8GA SIGN POST - TYPE 2 (HOLES FULL LENGTH, 1.625" START)</p>	
		<p>DATE DRAWN: 7/5/2017</p> <p>SCALE: 1:2</p> <p>WEIGHT: APP. 2.29 LB/FT</p>	<p>DIMENSIONS : INCHES TOLERANCES:</p> <p>(END FLARE CAN EXIST UP TO 6" FROM END)</p> <p>TWIST/FT: ±1/2° STRAIGHT/FT: ±1/64</p>

8 7 6 5 4 3 2 1